

SBC INDUSTRIES

ROOF FLASHINGS DESIGNED TO MEET *YOUR* SPECIFICATIONS



ROOF PENETRATION FLASHINGS (Non-Proprietary Performance Specifications)

MATERIALS

- A. **Metal:** stainless steel, 26 GA, type 304, 2B, ASTM A-240
- B. **Solder:** ASTM B32, 50% tin / 50% lead (if lead-free solder is required, tin-silver); ASTM 96.5TS
- C. **Backer Rod:** Open cell foam, 7/8", ASTM 1564
- D. **Sealant:** Single part urethane, ASTM C920-79

FABRICATION

- A. **Pitch Pans are not to be used** in lieu of any other penetration flashing in these specifications and will require special approval by Architect to be used for unusual conditions.

1. If required, fabricate pitch pan by forming a hemmed 3 inch high side and a 4 inch flashing flange. Provide a minimum 2 inch clearance from penetration. Shop or field solder radial corners and vertical seam.

- B. **Fabrication of one piece slipover flashings for pipes, conduits and other round penetrations.**

1. Form tubular flashing sleeve 9 inches high and minimum ¼ inch clearance from penetration.

2. Form square flashing plate 7 inches larger than penetration. Punch hole and extrude metal upward ¼ inch, providing a continuous vertical flange and shop solder flashing sleeve. Cut radius corners on flashing plate.

3. Form a conical sealant cover with an inside diameter equal to penetration and an outside diameter 1 to 2 inches larger.

4. The above describes Model PL/S with sealant cover as manufactured by SBC Industries, North Miami, FL 800-228-2580 www.sbcflashings.com

- C. **Fabrication of two piece flashings for connected pipes, conduits and other round penetrations.**

1. Form semi-cylindrical tubular flashing sleeve 9 inches high and minimum ¼ inch clearance from penetration and tightly seamed to fit snugly.

2. Form square flashing plate 7 inches larger than penetration. Punch hole and extrude metal upward ¼ inch,

providing a continuous vertical flange. Split flashing plate and shop solder flashing sleeves. Cut radius corners on flashing plate.

3. Form a conical sealant cover with an inside diameter equal to penetration and an outside diameter 1 to 2 inches larger.

4. The above describes Model PL/D with sealant cover as manufactured by SBC Industries, North Miami, FL 800-228-2580 www.sbcflashings.com

- D. **Fabrication of two piece flashings for square tube, rectangle tube, angle irons, H beams, I beams and channels.**

1. Form two angular stacks 6 inches high with 3/16 inch minimum clearance in any direction and tightly seamed to fit snugly.

2. Form two flashing plates and shop solder to angular stacks.

3. Forming an umbrella type sealant cover forming to profile of penetration and extending outward.

4. Provide Model SQT/D, R/D, A/D, H/D, I/D, or CH/D with sealant cover as manufactured by SBC Industries, North Miami, FL 800-228-2580 www.sbcflashings.com

INSTALLATION

- A. **Installation of flashing for pipes, conduits, and other round penetrations.**

1. Slipover or snap together flashing unit. If two piece flashing is used, field solder / seal vertical and horizontal seams watertight, then firmly embed flashing plate in full bed of mastic.

2. Between the penetration and the flashing, insert backer rod 3/8 inch below top of sleeve flashing, apply sealant and tool for positive slope.

3. Install cover around penetration and use bead of sealant at perimeter.

- B. **Installation of two piece flashings for square tube, rectangle tube, angle irons, H beams, I beams and channels.**

1. Snap together flashing unit. Field solder / seal vertical and horizontal

seams watertight, then firmly embed flashing plate in full bed of mastic.

2. Between the penetration and the flashing, insert backer rod 3/8 inch below top of sleeve flashing, apply sealant and tool for positive slope.

3. Install cover around penetration and use bead of sealant at perimeter.

NOTES

- Most flashings are in stock and shippable overnight.
- SBC Flashings are designed to comply with SMACNA, NRCA, Architects, and manufacturers details.
- US Patent #4,937,991

DOWNLOADS AVAILABLE



AutoCAD

SpecWizard

SPEC GENERATOR BY ARCAT

CONTACT



800-228-2580

1765 OPA LOCKA BLVD.

MIAMI, FL 33054

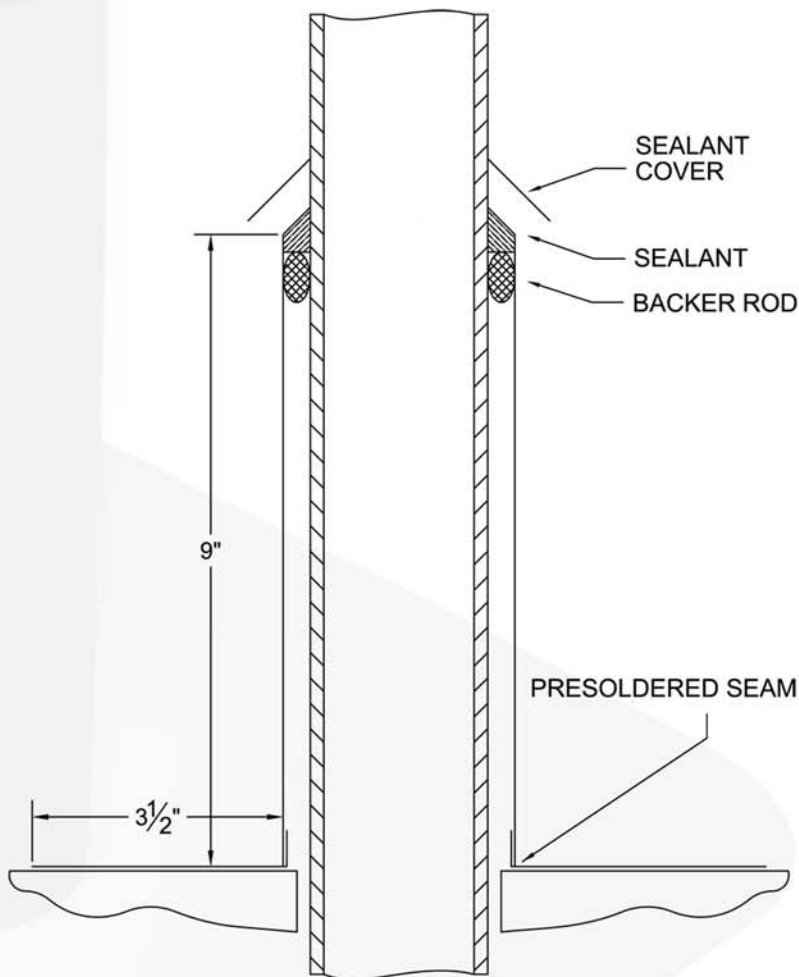
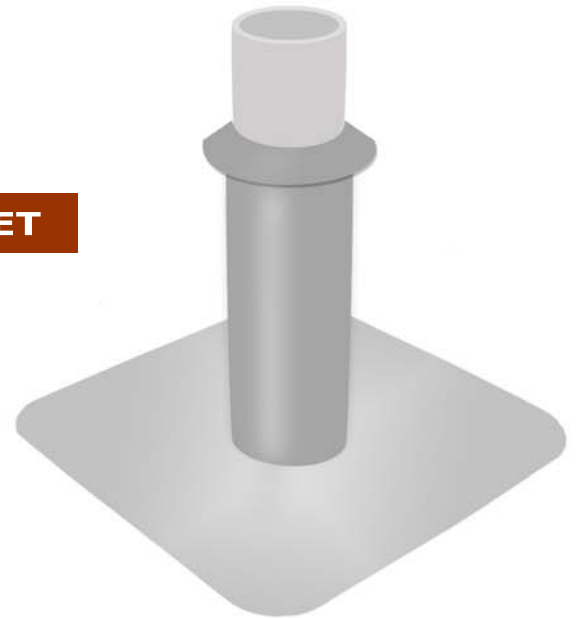
P: 305-685-6350

F: 305-685-6360

WWW.SBCFLASHINGS.COM

SPECIFICATION SHEET

PIPE FLASHING - CONDUIT FLASHING
MODELS PL/S, PL/D



Model PLD

Two-piece / Split Flashing for Round Pipe and Electrical Conduit.

Intended Use:

For new and re-roof applications, flashings are split units designed to surround roof penetrations that are already connected such as equipment stands, pipe supports, or activated electrical conduits.

Model PLS

One-piece / Slipover Flashing for Round Pipe and Electrical Conduit.

Intended Use:

For installation over project built equipment supports, stand pipes, VTR's, and unconnected conduit.

Advantages and Unique Features:

1. Requires absolutely no maintenance.
2. No curbs required.
3. Unit is designed for individual pipe size. No field cutting necessary.
4. Sealant cover provides total UV shielding.

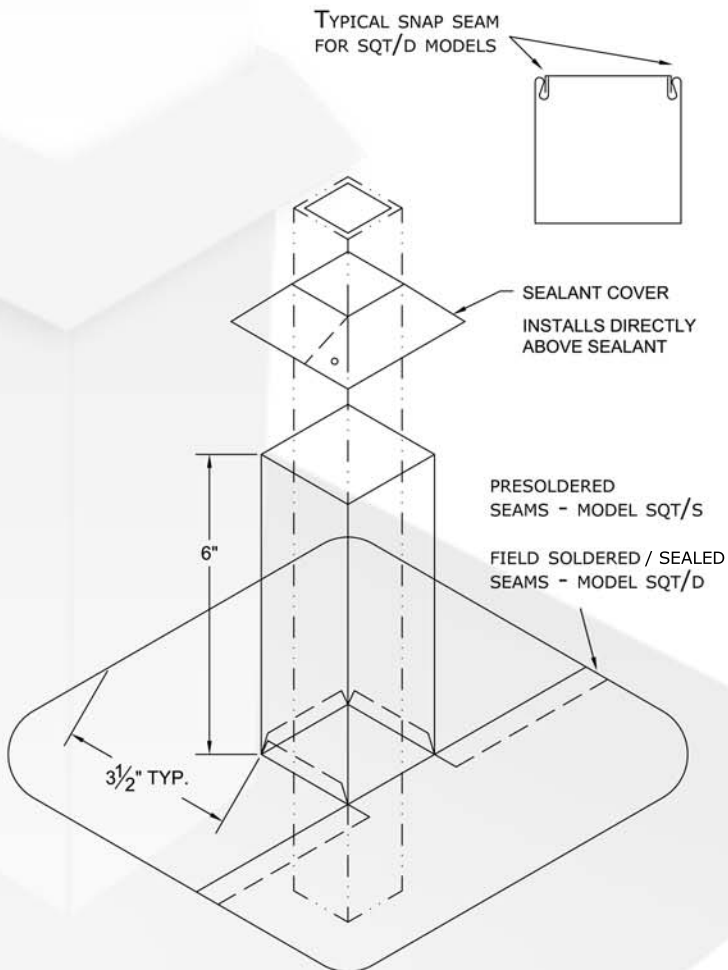
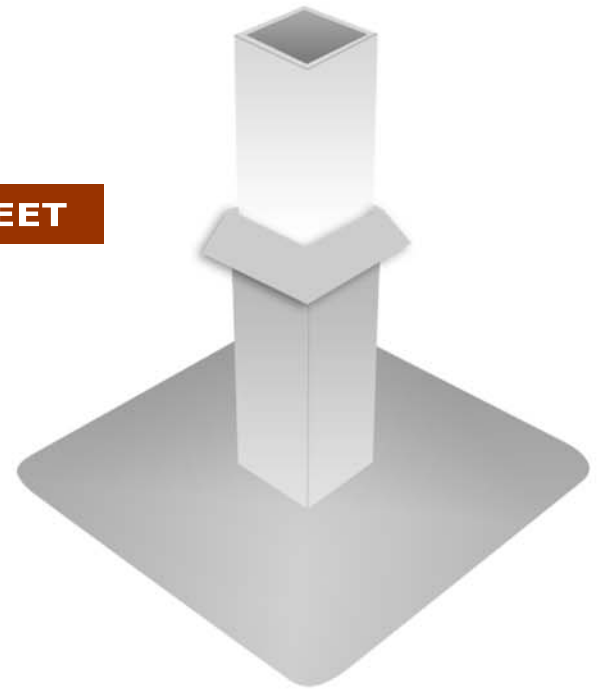
Materials:

1. 26 ga. stainless steel type 304 2B finish. ASTM A240
2. 50% lead / 50% tin ASTM B32 or specify non lead solder ASTM 96.5TS

Available for slopes to 45 degrees.

SPECIFICATION SHEET

SQUARE TUBE FLASHING
MODELS SQT/S, SQT/D



Model SQT/D

Two-piece / Split Flashing

Intended Use:

Designed for new or re-roof applications, unit is typically used on prefabricated square equipment supports or penetrations already in place through roof or wall.

Model SQT/S

One-piece / Slipover Flashing

Intended Use:

Designed in one piece to be either set in place prior to installation or slipped over square penetration.

Advantages and Unique Features:

1. Requires absolutely no maintenance.
2. Prefabricated to proper fit.
3. Impervious to damage by U.V. and most chemicals. Sealant cover provides total U.V. shielding.

Materials:

1. 26 ga. stainless steel type 304 2B finish. ASTM A240
2. 50% lead / 50% tin ASTM B32 or specify non lead solder ASTM 96.5TS

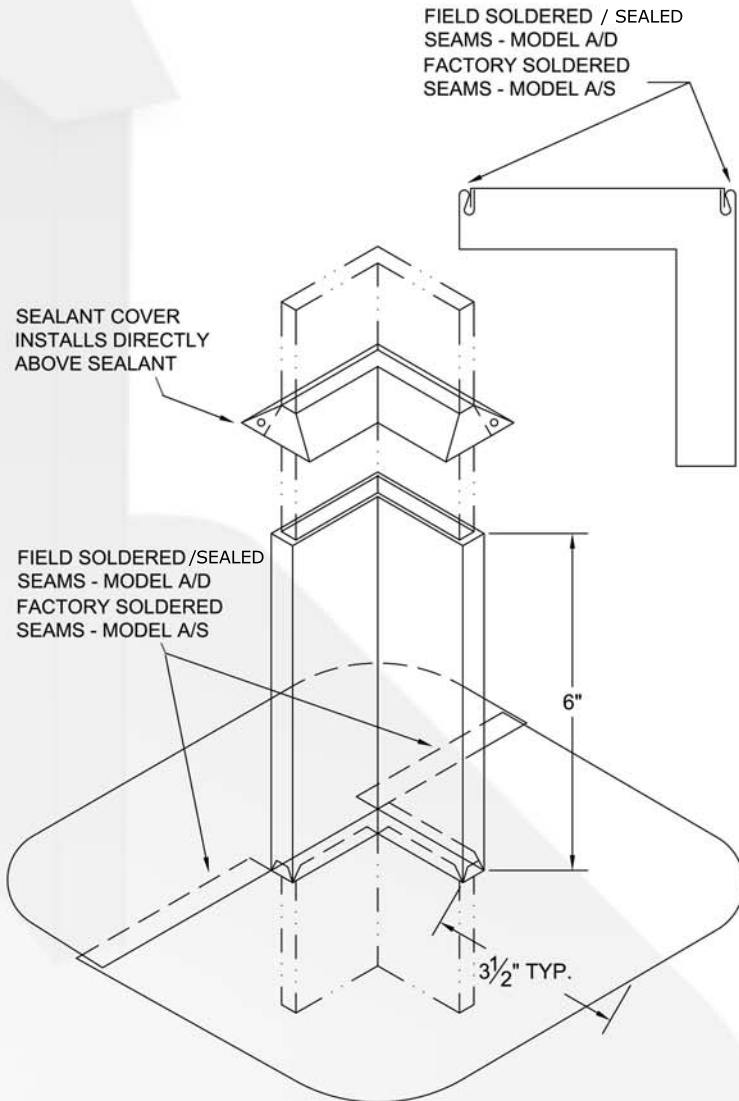
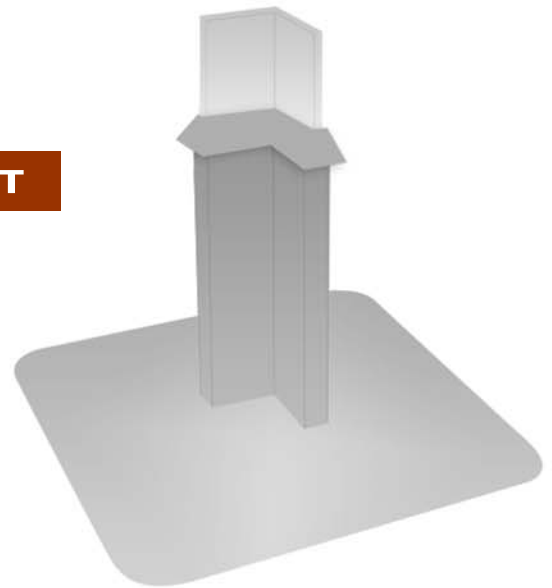
Available for slopes to 45 degrees.

PROUDLY MADE IN THE USA

SPECIFICATION SHEET

ANGLE FLASHING

MODELS A/S, A/D



Model A/D

Two-piece / Split Flashing

Intended Use:

Designed for new or re-roof applications. Unit is typically used on angle irons that support mechanical equipment, ducts, and equipment screens.

Model A/S

One-piece / Slipover Flashing

Intended Use:

Primarily for new construction and project fabricate structure flashings.

Advantages and Unique Features:

1. Prefabricated to proper fit on angle iron from 1 1/4" - 6" and slopes to 45 degrees.
2. Impervious to damage by U.V. and most chemicals. Sealant covers provide total U.V. shielding.
3. Requires absolutely no maintenance.

Materials:

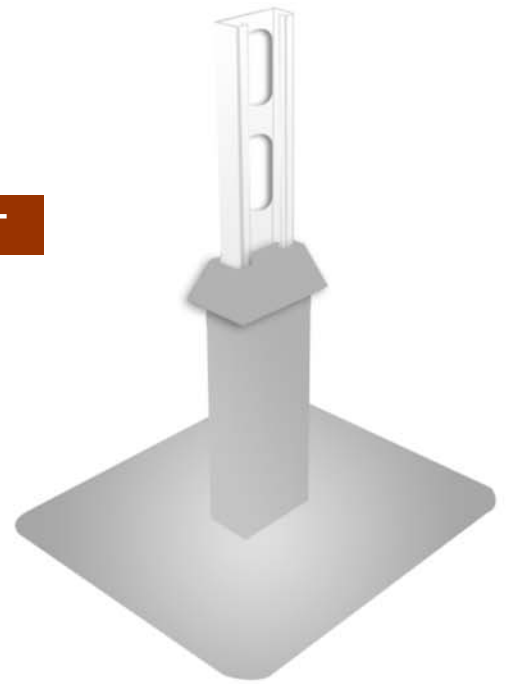
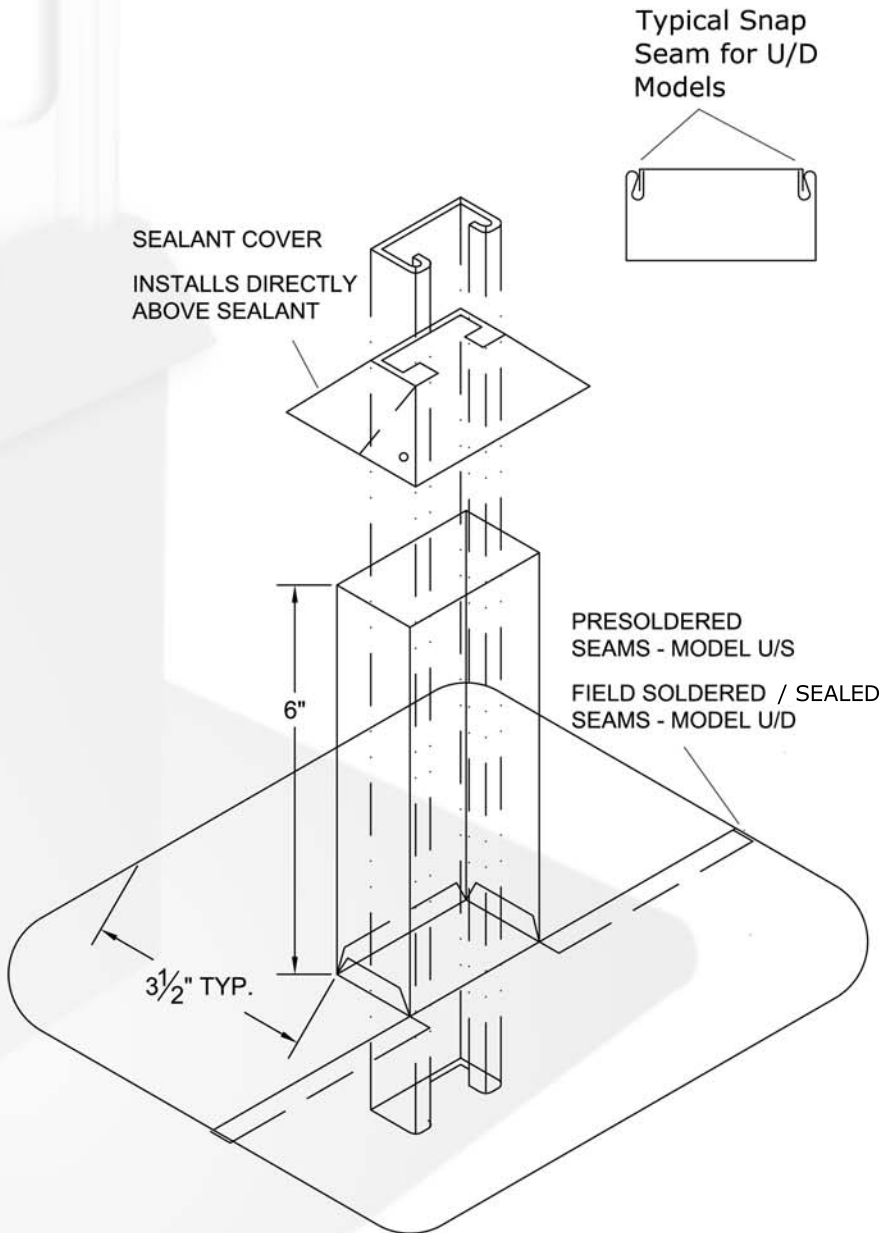
1. 26 Ga. stainless steel type 304 2B finish ASTM A240
2. 50% lead / 50% tin ASTM B32 or specify non lead solder ASTM 96.5TS

Available for slopes to 45 degrees..

SPECIFICATION SHEET

STRUT FLASHING

MODELS U/S, U/D



Model U/D

Two-piece / Split Flashing

Intended Use:

Designed for new or re-roof applications, unit is typically used on strut supports for conduit, pipes, and ducts already in place.

Model U/S

One-piece / Slipover Flashing

Intended Use:

Primarily for new construction using strut supports for conduit, pipes, and ducts.

Advantages and Unique Features:

1. Provides a solution in addressing a previous flashing dilemma.
2. Requires absolutely no maintenance.
3. Impervious to damage by U.V. and most chemicals. Sealant cover provides total U.V.
4. Sealant cover provides total U.V. shielding.

Materials:

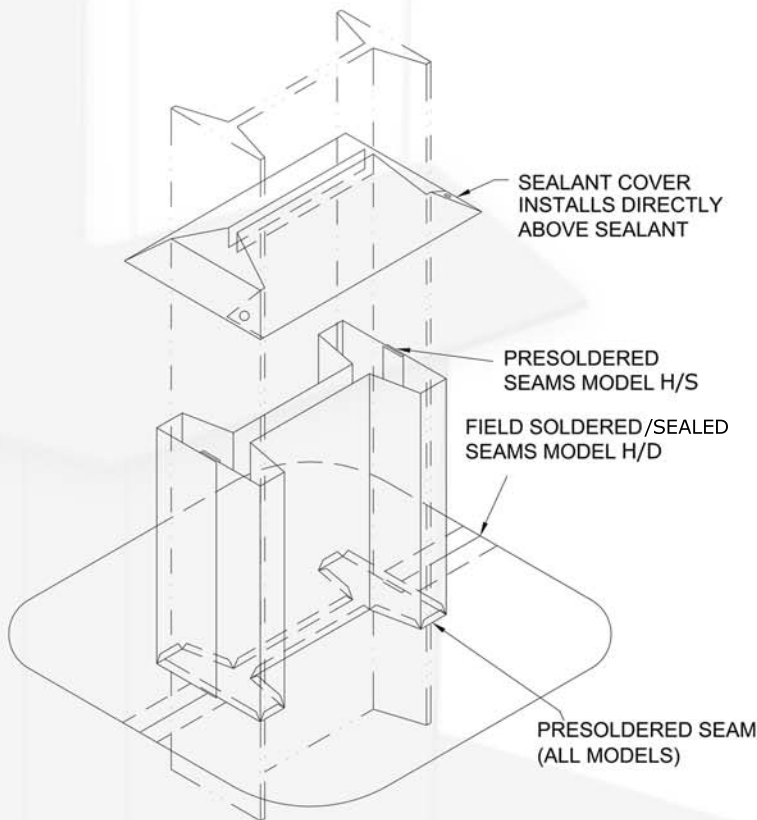
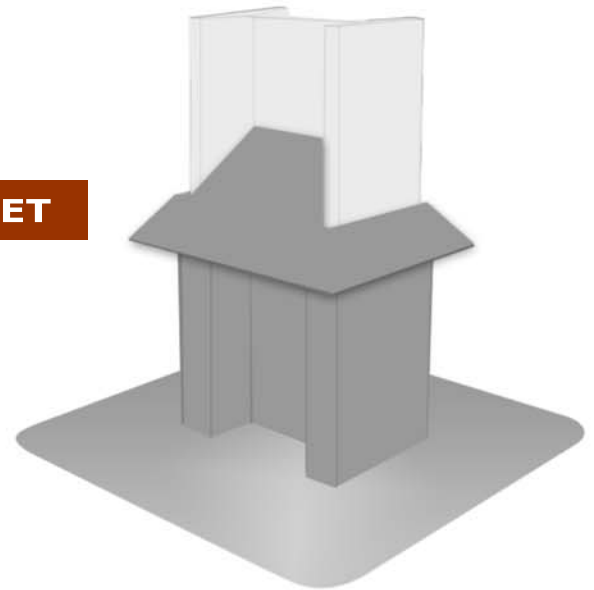
1. 26 Ga. stainless steel type 304 2B finish ASTM A240
2. 50% lead / 50% tin ASTM B32 or specify non lead solder ASTM 96.5TS

Available for slopes to 45 degrees.

SPECIFICATION SHEET

H BEAM FLASHING

MODELS H/S, H/D



Model H/D

Two-piece / Split Flashing

Intended Use:

Designed for new or re-roof applications, unit is typically used on W flange columns, horizontal I-Beams, equipment screens, and stair rail channels already in place through roof or wall.

Model H/S,

One-piece / Slipover Flashing

Intended Use:

Designed in one piece to be either set in place prior to installation or slipped over stubbed columns.

Advantages and Unique Features:

1. Requires absolutely no maintenance.
2. No curbs required.
3. Unit is designed for individual pipe size, no field cutting necessary.
4. Sealant cover provides total U.V. shielding.

Materials:

1. 26 Ga. stainless steel type 304 2B finish ASTM A240
2. 50% lead / 50% tin ASTM B32 or specify non lead solder ASTM 96.5TS

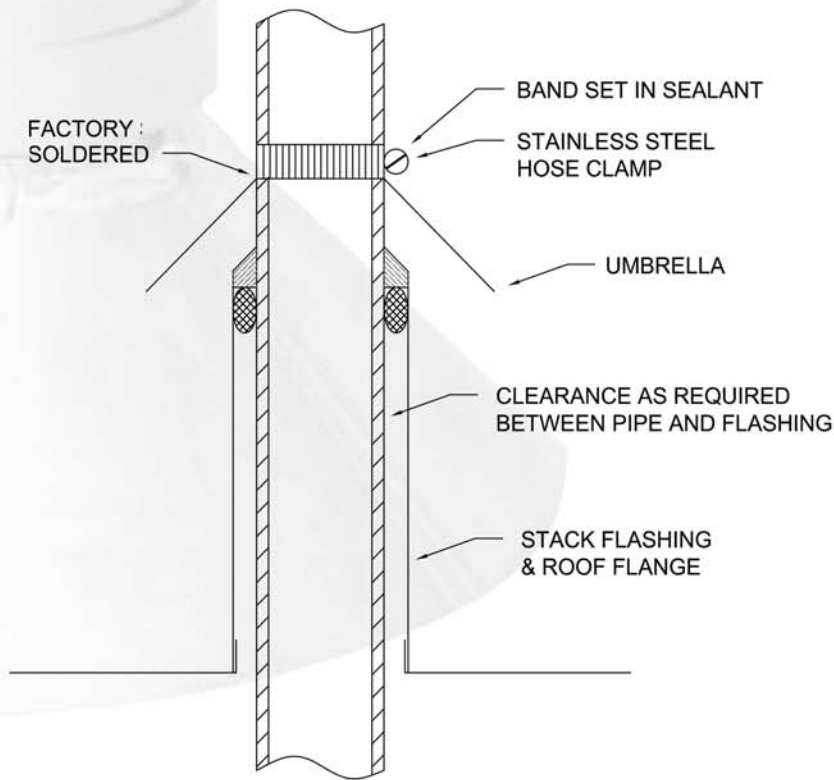
Available for slopes to 45 degrees.

SPECIFICATION SHEET

UMBRELLA WITH CLAMP
NRCA TYPE



The SBC Stainless Steel Umbrella is designed to be used in conjunction with SBC Pipe Flashings when additional clearance and/or ventilation is desired or required.



Umbrella with Clamp

Intended Use:

- Use when more clearance is necessary between pipe penetration & stack flashing.
- Use when venting is sought between pipe penetration and stack flashing.
- Use in lieu of sealant cover.

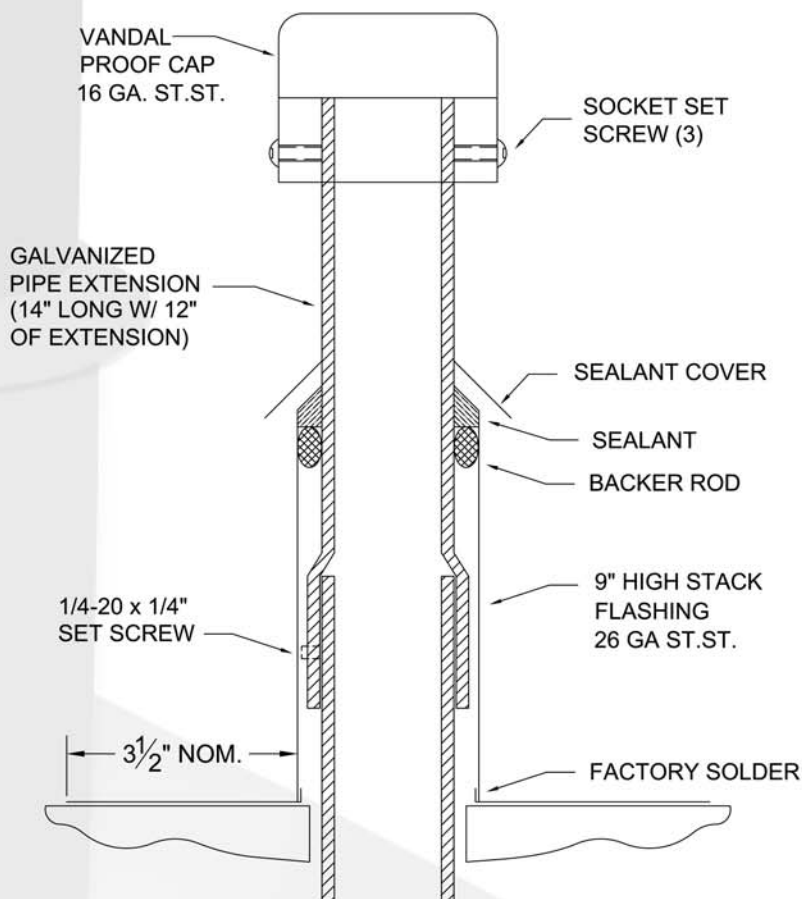
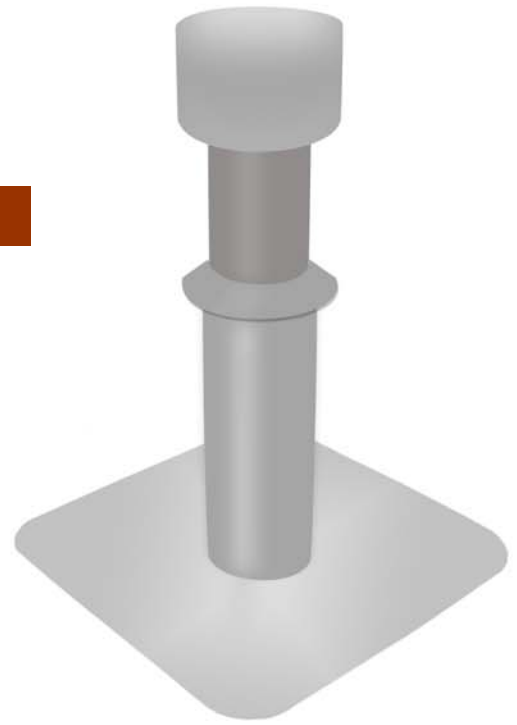
Materials:

1. 26 Ga. stainless steel type 304 2B finish ASTM A240
2. 50% lead / 50% tin ASTM B32 or specify non lead solder ASTM 96.5TS

SPECIFICATION SHEET

VTR KIT

MODEL VTREXVP



Model VTREXVP

Slipover Pipe Flashing (Model PL/S), Sealant Cover, Galvanized Pipe Extension, and Vandal Proof Cap

Intended Use:

For extending plumbing vents when roof elevations are raised due to increased insulation thickness or structural modifications.

Advantages and Unique Features:

1. Provides a complete, simple to install, and economical method of extending, flashing, and vandal proofing any plumbing vent.
2. Will not obstruct vent pipe, thus allowing "snaking" of pipe.
3. Vandal proof cap is lightweight and rustproof.

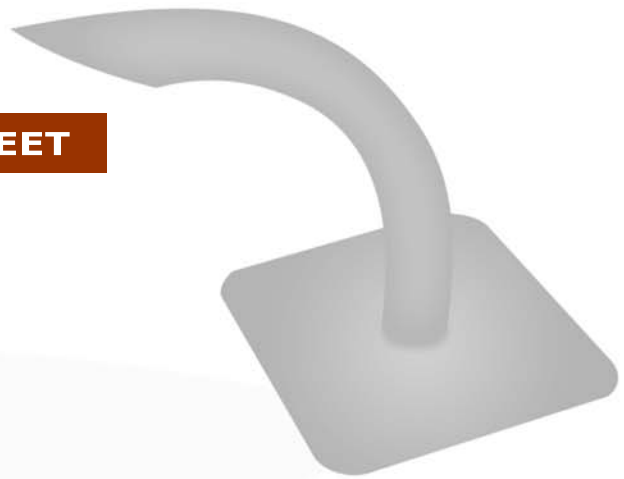
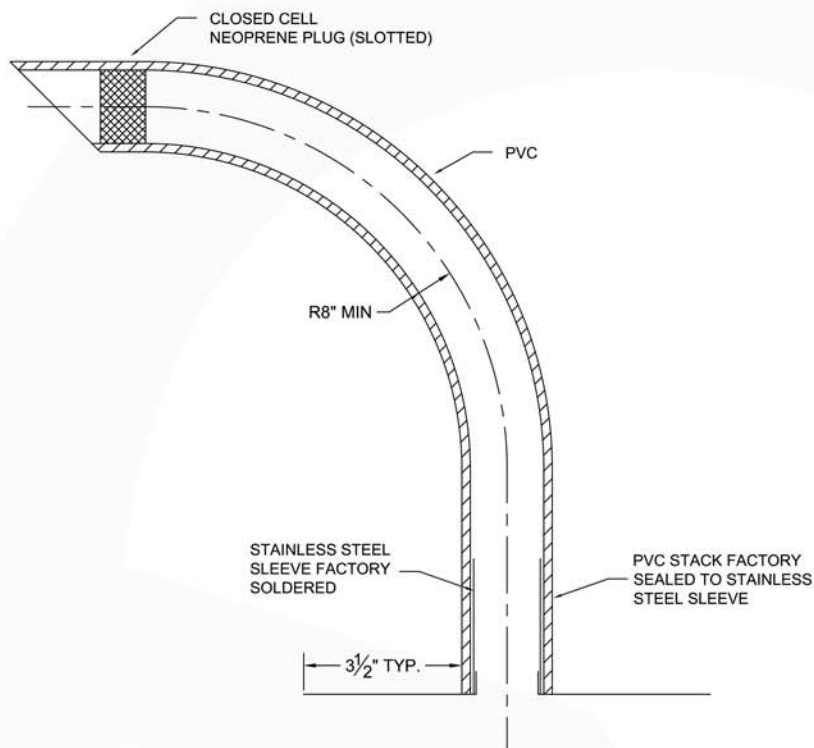
Materials:

1. Pipe Flashing: 26 Ga. stainless steel type 304 2B finish ASTM A240
2. Vandal Cap: 16 Ga. stainless steel
3. Pipe Extension: Galvanized steel - provides 12 inches of extension.
4. 50% lead / 50% tin ASTM B32 or specify non lead solder ASTM 96.5TS

SPECIFICATION SHEET

CABLE FLASHING

MODEL CG



Model CG

All models are one-piece / slipover.

Intended Use:

Used to address coaxial and lightning protection cables entering/exiting the building through the roof or wall.

Advantages and Unique Features:

1. Provides excellent watertight seal at roof plane with all types of roof materials.
2. Requires absolutely no maintenance.

Materials:

1. Roof flange and stack flashing: 26 Ga. stainless steel type 304 2B finish. ASTM A240
2. Gooseneck: PVC Conduit UL 651
3. 50% lead / 50% tin ASTM B32 or specify non lead solder ASTM 96.5TS

Available Models:

- CG125
- CG150
- CG200



SPECIFICATION SHEET

VERSA LINE FLASHING

MODELS ML/S, ML/D

Model ML/S

One-piece / Slipover Flashing

Intended Use:

Designed to watertight A/C Lines, Cables, & Flexible Conduit to be installed through the roof.

Advantages and Unique Features:

1. Requires absolutely no maintenance.
2. Lines can be added, serviced, changed, and/or accessed without disturbing roofing.

Model ML/D

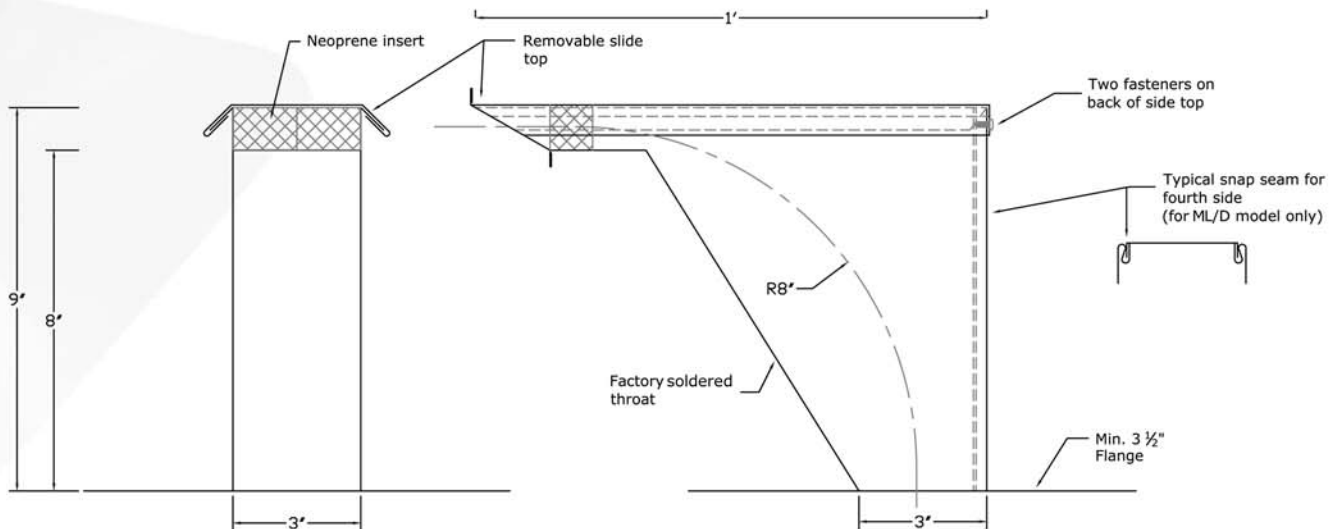
Removeable Back

Intended Use:

Designed to watertight existing A/C Lines, Cables, & Flexible Conduits installed through the roof.

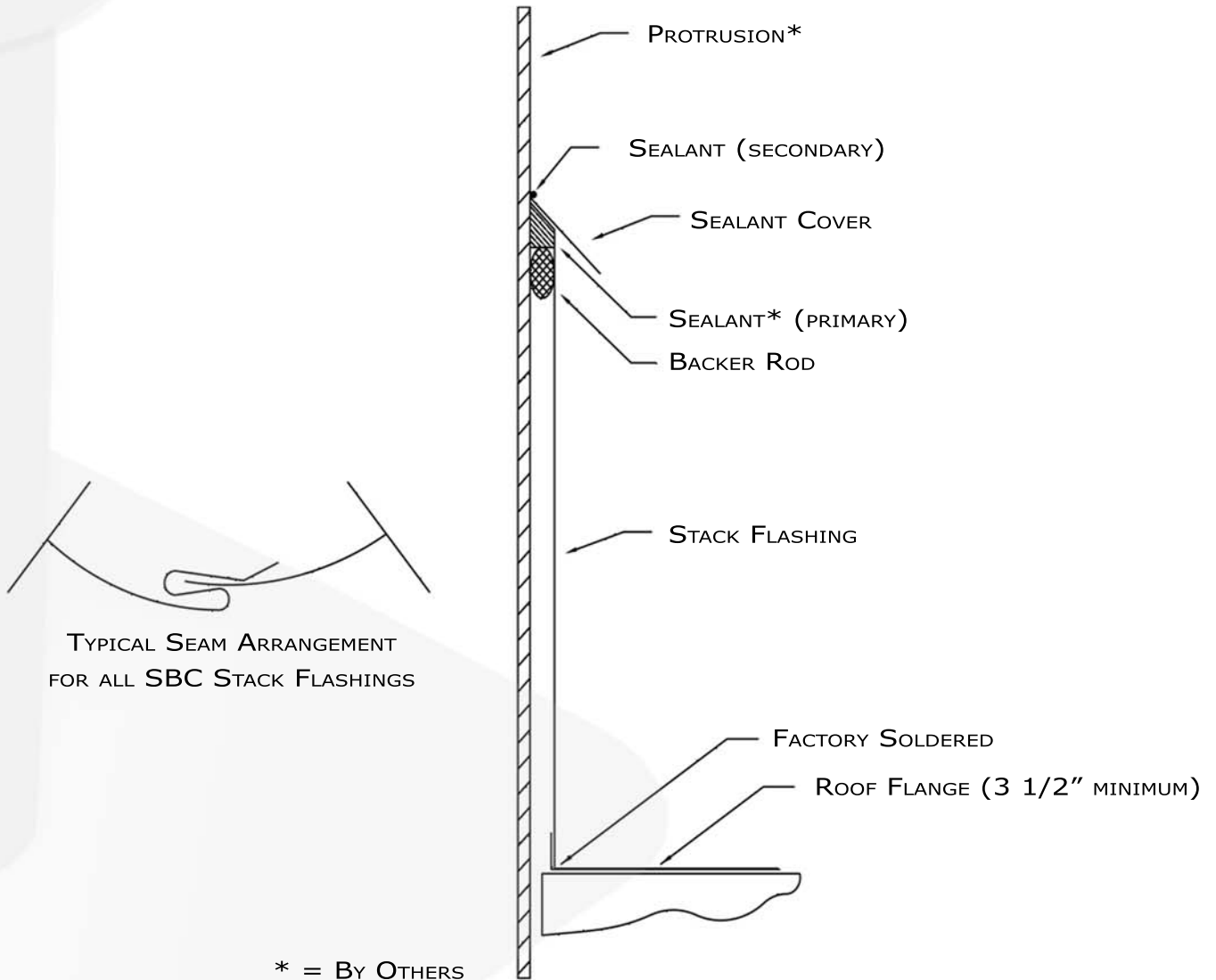
Materials:

1. 26 Ga. stainless steel type 304 2B finish ASTM A240
2. 50% lead / 50% tin ASTM B32 or specify non lead solder ASTM 96.5TS



SPECIFICATION SHEET

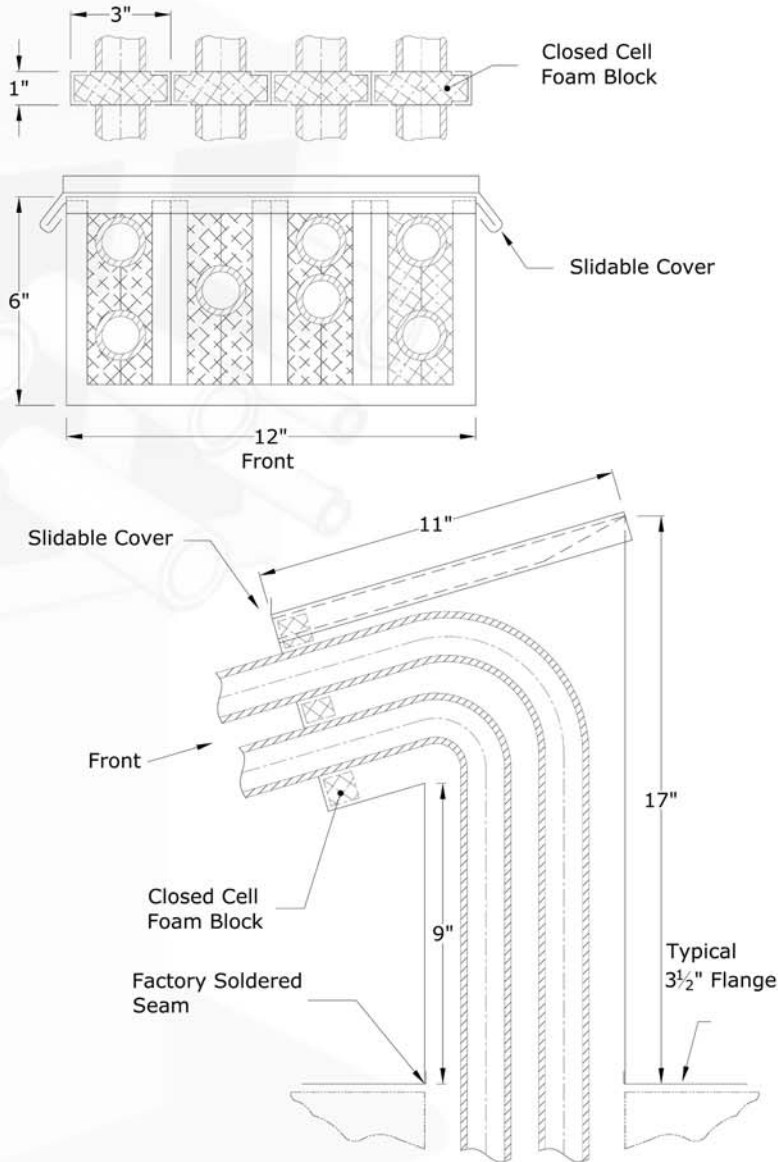
**TYPICAL SECTION THROUGH ALL
 SBC ANGULAR & PIPE FLASHINGS**



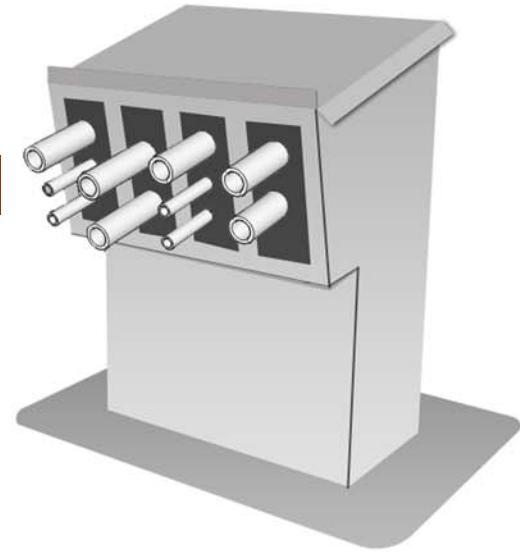
SPECIFICATION SHEET

LINE SHACK

MODEL LS



* Drawing and dimensions are based on in stock model. Custom models for slopes, size variations, capacity, etc. are available upon request.



Model LS

Intended Use:

To house and flash a/c tubing and conduit through the roof, SBC Industries developed the "Line Shack", a stainless steel housing with a slide off top for access and closed cell foam for weatherproofing and insulating lines. The "Line Shack" will accommodate refrigerant tubing and conduit for up to four a/c units.

Advantages and Unique Features:

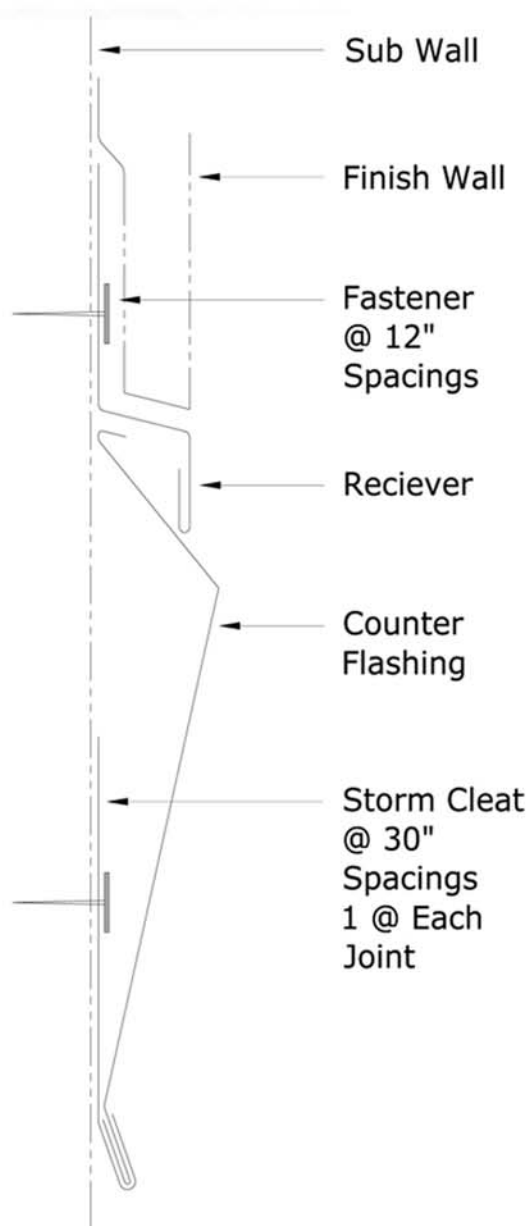
1. Closed cell foam insulates and waterproofs tubing exiting housing.
2. Slide off lid provides access to tubing and conduits.

Materials:

1. 26 Ga. stainless steel type 304 2B finish ASTM A240 with closed cell foam at tubing exit ASTM D 1056 2A2
2. 50% lead / 50% tin ASTM B32 or specify non lead solder ASTM 96.5TS

SPECIFICATION SHEET

2 PIECE STUCCO MOUNT COUNTER



Model: 2 piece Stucco Mount Counter

Intended Use:

1. Stucco walls
2. Veneer type wall systems
3. Metal panel walls.

Advantages and Unique Features:

1. Allow stucco and paint or veneer wall application prior to roof placement, thus improving trade coordination and eliminating roof damage.
2. Counter flashing can be removed to facilitate roof repair or replacement without disturbing finished wall.

Available Materials:

1. Stainless steel 26 Ga. to 22 Ga. T-304
2. Aluminum .032 or .040 3003 Mill Finish
3. Copper 16oz cold rolled
4. Galv Iron 26 Ga to 22 Ga. G-90
5. Kynar 500 Prefinished .032 Alum

SIZE REFERENCE CHART

ROUND PIPE SIZING

MODEL PL/S & PL/D

<i>Pipe Size / Pipe I.D.</i>	<i>Model</i>	<i>Pipe O.D.</i>	<i>Pipe Circumference</i>	<i>Flashing Diameter</i>
1/2"	50	7/8"	2 5/8"	1 5/16"
3/4"	75	1 1/16"	3 5/16"	1 1/2"
1"	100	1 5/16"	4 1/8"	1 3/4"
1 1/4"	125	1 11/16"	5 1/4"	2 1/16"
1 1/2"	150	1 7/8"	6"	2 5/16"
2"	200	2 3/8"	7 1/2"	2 13/16"
2 1/2"	250	2 7/8"	9 1/2"	3 5/16"
3"	300	3 1/2"	11"	3 15/16"
3 1/2"	350	4"	12 9/16"	4 7/16"
4"	400	4 1/2"	14 1/8"	4 15/16"
5"	500	5 9/16"	17 1/2"	6"
6"	600	6 5/8"	20 13/16"	7 1/16"

MODEL PL/D: D SERIES / 2 PC / DIVIDED FLASHING

MODEL PL/S: S SERIES / 1 PC / SLIPOVER FLASHING

THIS CHART IS FOR REFERENCE PURPOSES ONLY AND REFLECTS SIZING FOR THE MOST COMMON SBC FLASHING SIZES. FLASHING DETAILS ARE AVAILABLE FOR ALL SIZES UPON REQUEST.

COMPANY INFORMATION

COMPANY NAME

STREET ADDRESS

CITY

STATE

ZIP

PHONE

FAX

EMAIL

WEB ADDRESS

BILLING ADDRESS

INDICATE IF PURCHASE ORDERS ARE REQUIRED

YES

NO

AUTHORIZED BY

SALES TAX EXEMPTION #

CORPORATION

PARTNERSHIP

PROPRIETORSHIP

PERSONAL

IF CORPORATION, STATE OF INCORPORATION

FEDERAL I.D. #

YEARS IN BUSINESS

NAMES OF PRINCIPAL OFFICERS OR PARTNERS

NAME

TITLE

NAME

TITLE

CREDIT REFERENCES

NAME

NATURE OF BUSINESS

PHONE

FAX

EMAIL

TYPE OF ACCOUNT

NAME

NATURE OF BUSINESS

PHONE

FAX

EMAIL

TYPE OF ACCOUNT

NAME

NATURE OF BUSINESS

PHONE

FAX

EMAIL

TYPE OF ACCOUNT

I hereby authorize SBC to charge the above credit card for accounts due 45 days from billing date. Past due accounts shall be subject to finance charge (interest) on the unpaid principal amount. The amount charged shall not exceed the lawful rate which may be in effect from time to time. Payments received shall be applied first to interest, then to principal, with the payment being applied to the oldest balances first. Any dispute on an invoice shall be made in writing by the customer and sent to SBC via certified mail within 10 days of invoice in order to be considered a reasonable claim. In consideration of any extension of credit should any indebtedness not be paid in accordance with the terms of credit, the undersigned customer agrees to pay all costs of collection including attorney's fees and does not hereby waive presentment and notice of default and stipulate to venue in the county subject to any offset or claim, but shall be paid to SBC when due regardless of any claim or dispute. The undersigned customer does hereby authorize their bank to release any information regarding account balances and credit history to SBC. I/We represent that we are authorized to accept these terms and conditions of sale for applicant and that all facts contained herein are truthful and to the best of our knowledge.

SIGNATURE OF APPLICANT

DATE

PRINT NAME

TITLE